

# V6 - 6mm flow valve installation

MODELS
V6 - 54 - 3 - C
V6 - 54 - 4 - C
V6 - 70 - 3
V6 - 70 - 4
V6 - 70 - 3 - C
V6 - 70 - 4 - C

Remove head assembly for installation  
Replace when valve is in situ

8/32 Tinnerman washers  
8/32 C'SK screws - supplied

1/8 NPS port

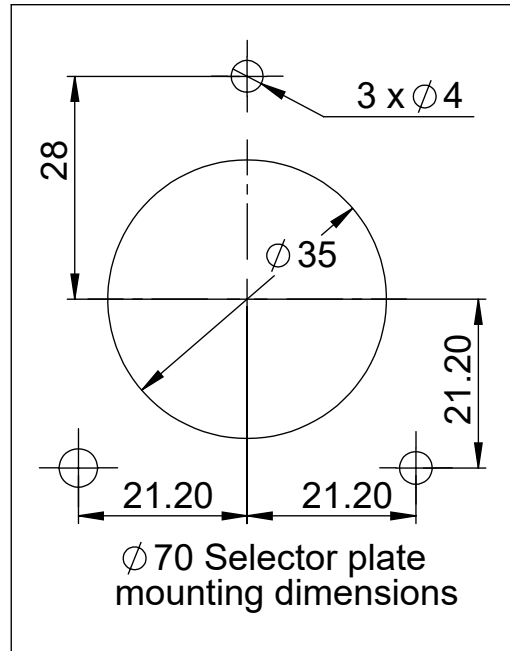
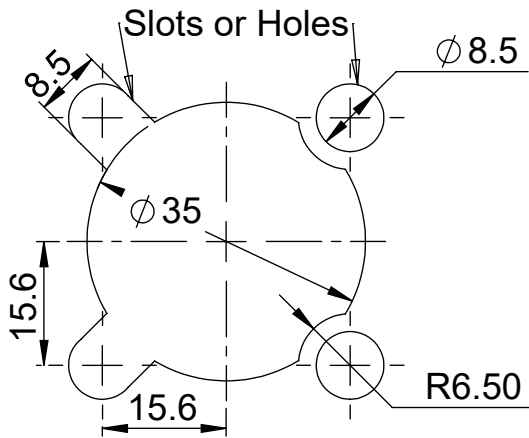
1/8 NPT Fitting

1/8 NPS Male to  
M10X1P female  
adaptor. NC-315

M10X1P Banjo's

Selector plate  
standard  $\phi 54$   
Alternative  $\phi 70$   
with larger lever  
as in our V1/V3/V4

56mm  
MINIMUM



Newton Consulting Sprl Ltd

BANKSIDE WORKS, LONDON ROAD, CHALFORD,  
STROUD, GLOS. GL6 8PR UK

Tel: 44(0)1453 884908

E-Mail: robinvoice@yahoo.co.uk