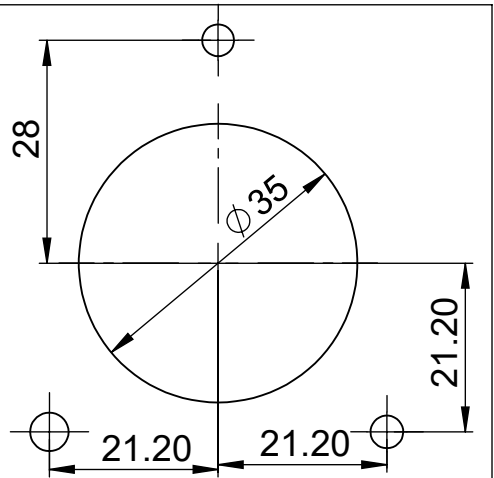
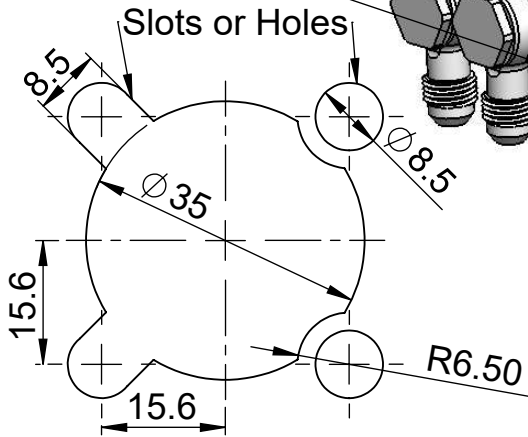
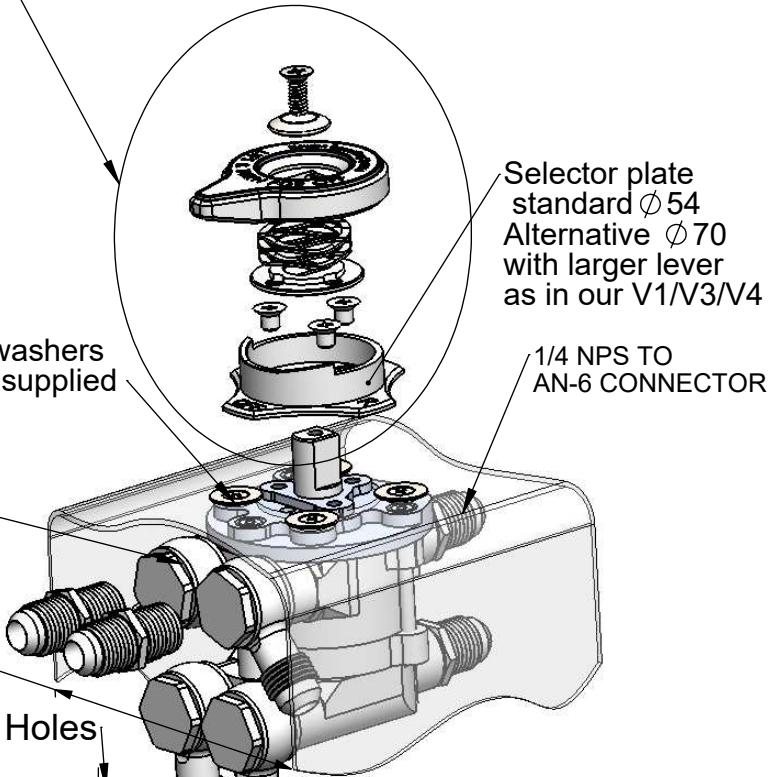


V9 DUPLEX valve installation

MODELS
V9 - 54 - 3 - C
V9 - 54 - 4 - C
V9 - 70 - 3
V9 - 70 - 4
V9 - 70 - 3 - C
V9 - 70 - 4 - C

Remove head assembly for installation
Replace when valve is in situ



Ø 70 Selector plate mounting dimensions

Newton Consulting Sprl Ltd

BANKSIDE WORKS, LONDON ROAD, CHALFORD, STROUD, GLOS. GL6 8PR UK

Tel: 44(0)1453 884908
E-Mail: robinvoice@yahoo.co.uk